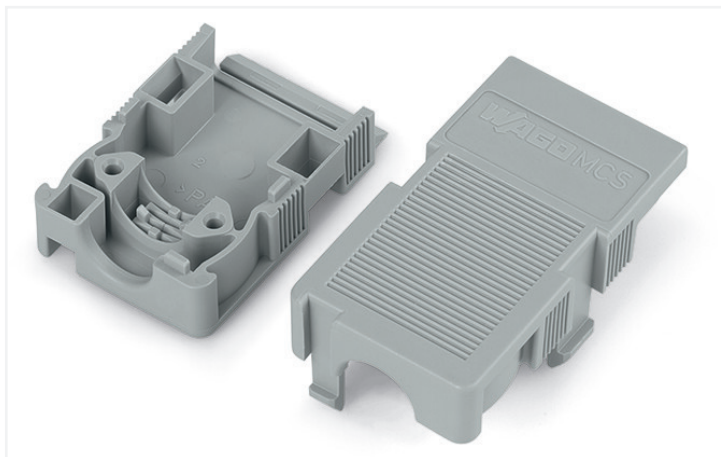


# Data Sheet | Item Number: 232-602

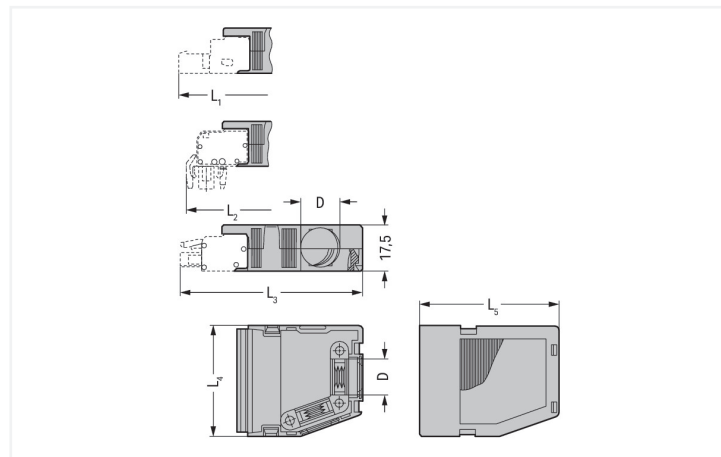
Strain relief housing; gray

<https://www.wago.com/232-602>



Color: ■ gray

Similar to illustration



Dimensions in mm

- Only for use with cable binders
- Cable binder width: max. 3.6 mm
- 1 x cable outlet, rear

## Connection data

### Connection 1

Pole number	2
-------------	---

## Physical data

Pin spacing	5 mm / 0.197 inches
Width	13 mm / 0.512 inches
Height	17.5 mm / 0.689 inches
Depth	41.5 mm / 1.634 inches

## Mechanical Data

Suitable	for standard male and female connectors
----------	---

## Material Data

Note (material data)	<a href="#">Information on material specifications can be found here</a>
Color	gray
Material group	I
Insulation material	Polyamide (PA66)
Flammability class per UL94	V0
Fire load	0.363 MJ
Weight	3.9 g

Commercial data	
Product Group	3 (Multi Conn. System)
eCl@ss 10.0	27-14-11-92
eCl@ss 9.0	27-44-04-92
ETIM 8.0	EC002848
ETIM 7.0	EC002848
PU (SPU)	25 pcs
Packaging type	Box
Country of origin	DE
GTIN	4017332290302
Customs tariff number	39269097900

### Approvals / Certificates

#### General approvals



Approval	Standard	Certificate Name
CSA DEKRA Certification B.V.	C22.2	1466354
KEMA/KEUR DEKRA Certification B.V.	EN 61984	71-121453
UL Underwriters Laboratories Inc.	UL 1059	E45172
UR Underwriters Laboratories Inc.	UL 1977	E45171

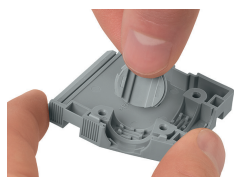
#### Approvals for marine applications



Approval	Standard	Certificate Name
ABS American Bureau of Ship- ping	-	19-HG15869876-PDA

### Installation Notes

#### Installation



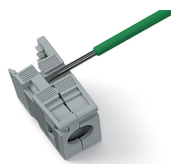
Snapping a cover into the unused cable outlet.

## Installation



Strain relief housing shown with a male connector equipped with CAGE CLAMP®

## Installation



Disassembling a strain relief housing is only possible using an operating tool (e.g., 210-719).